



Serial Number: \_\_\_\_\_

Date of Purchase: \_\_\_\_\_

**P O W E R**™



**COMPONENT  
SPEAKERS**

**T5652-S**

# Introduction

Dear Customer,

*Congratulations on your purchase of the world's finest brand of car audio products. At Rockford Fosgate we are fanatics about musical reproduction at its best, and we are pleased you chose our product. Through years of engineering expertise, hand craftsmanship and critical testing procedures, we have created a wide range of products that reproduce music with all the clarity and richness you deserve.*

*For maximum performance we recommend you have your new Rockford Fosgate product installed by an Authorized Rockford Fosgate Dealer, as we provide specialized training through Rockford Technical Training Institute (RTTI). Please read your warranty and retain your receipt and original carton for possible future use.*

*Great product and competent installations are only a piece of the puzzle when it comes to your system. Make sure that your installer is using 100% authentic installation accessories from Rockford Fosgate in your installation. Rockford Fosgate has everything from RCA cables and speaker wire to power wire and battery connectors. Insist on it! After all, your new system deserves nothing but the best.*

*To add the finishing touch to your new Rockford Fosgate image order your Rockford accessories, which include everything from T-shirts to jackets.*

Visit our web site for the latest information on all Rockford products; [www.rockfordfosgate.com](http://www.rockfordfosgate.com) or, in the U.S. call 1-800-669-9899 or FAX 1-800-398-3985. For all other countries, call +001-480-967-3565 or FAX +001-480-966-3983.

## Table of Content

4	Introduction
5-7	Specifications
8-9	Installation
	Installation Considerations
	Mounting
	Wiring
10	System Setup
11	Troubleshooting
12-15	Additional Languages
	French
	Spanish
	German
	Italian
16	Limited Warranty Information

If, after reading your manual, you still have questions regarding this product, we recommend that you see your Rockford Fosgate dealer. If you need further assistance, you can call us direct at **1-800-669-9899**. Be sure to have your serial number, model number and date of purchase available when you call.

### PRACTICE SAFE SOUND

Continuous exposure to sound pressure levels over 100dB may cause permanent hearing loss. High powered auto sound systems may produce sound pressure levels well over 130dB. Use common sense and practice safe sound.

## Safety

This symbol with "WARNING" is intended to alert the user to the presence of important instructions. Failure to heed the instructions will result in severe injury or death.



This symbol with "CAUTION" is intended to alert the user to the presence of important instructions. Failure to heed the instructions can result in injury or unit damage.



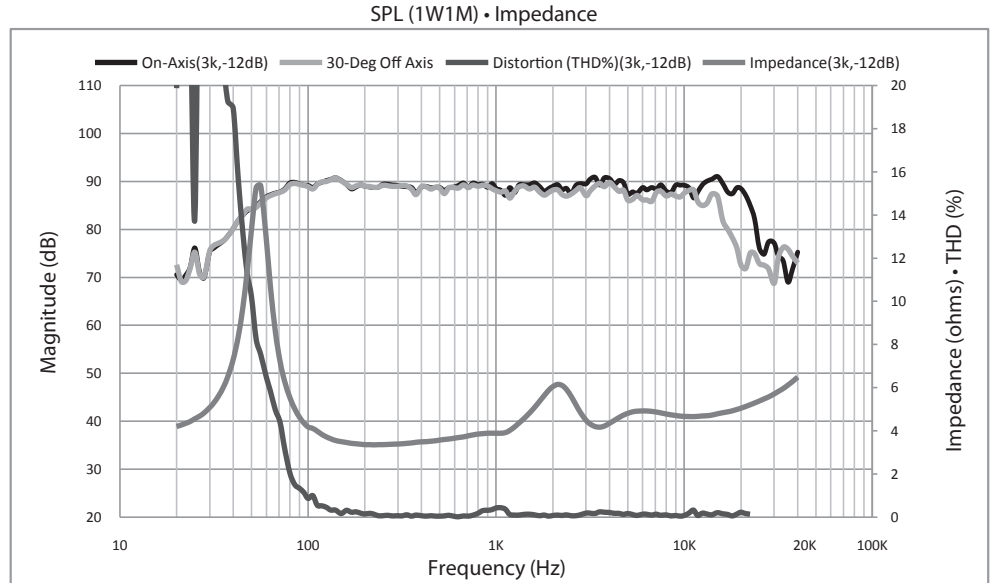
- To prevent injury and damage to the unit, please read and follow the instructions in this manual. We want you to enjoy this system, not get a headache.
- If you feel unsure about installing this system yourself, have it installed by a qualified Rockford Fosgate technician.
- Before installation, disconnect the battery negative (-) terminal to prevent damage to the unit, fire and/or possible injury.



Model **T5652-S**

Nominal Diameter	6.5" (165mm)
Description	2-Way
Nominal Impedance	4Ω
Frequency Response	45-40kHz
Voice Coil Diameter	1.5" (38.0mm)
Power Rating (RMS/Peak)	150W / 300W
FS - Free Air Resonance	48 Hz
Qts	0.56
Vas	0.81ft <sup>3</sup> (23.0L)
Sensitivity (1W/1M)	88.5dB
Sensitivity (2.83V/1M)	91.5dB
Xmax	0.28" (7.0mm)
Mounting Diameter	5.67" (144.0mm)
Mounting Depth	2.79" (71.0mm)
Grille/Trim Ring	YES
Adaptor Plate	N/A

See pages 6-7 for additional dimensions

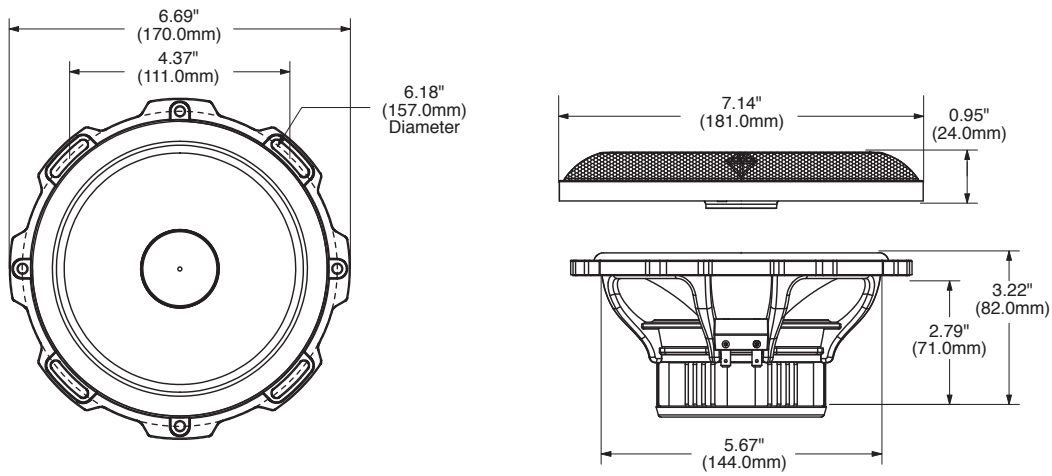


CEA 2006

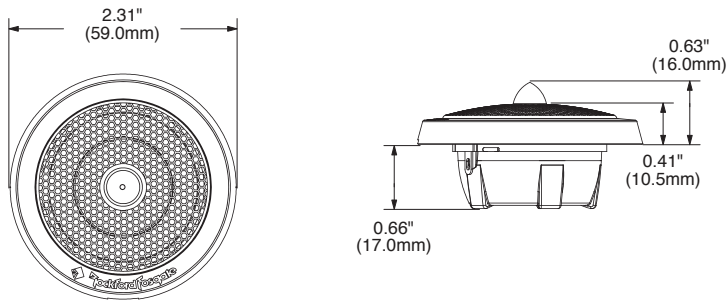
Power ratings on Rockford Fosgate amplifiers conform to CEA-2006 industry standards. These guidelines mean your amplifier's output power ratings are REAL POWER numbers, not inflated marketing ratings.

# Specifications

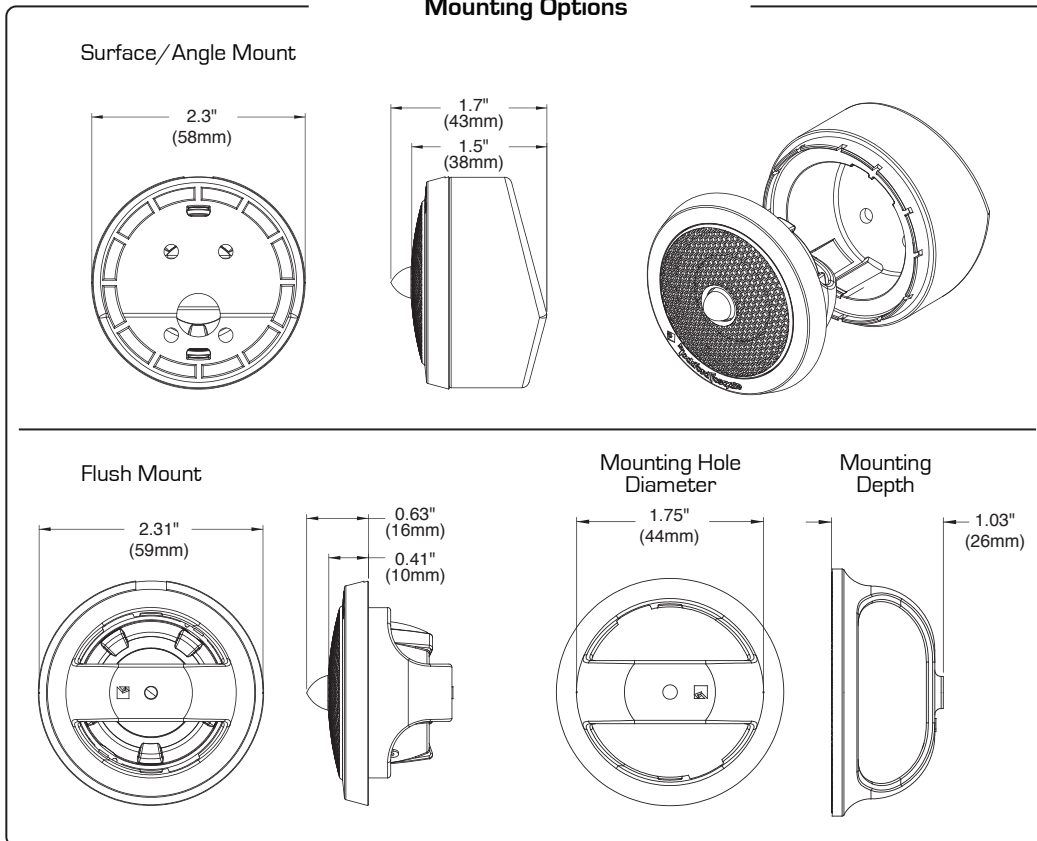
## T5 - Mid-Bass



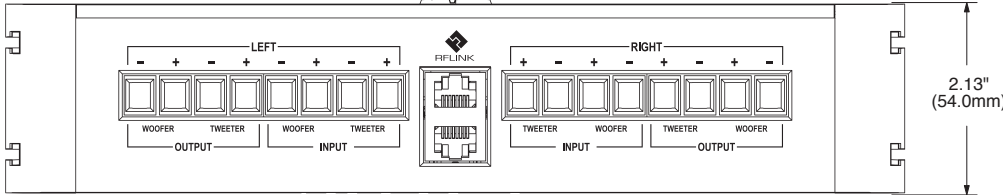
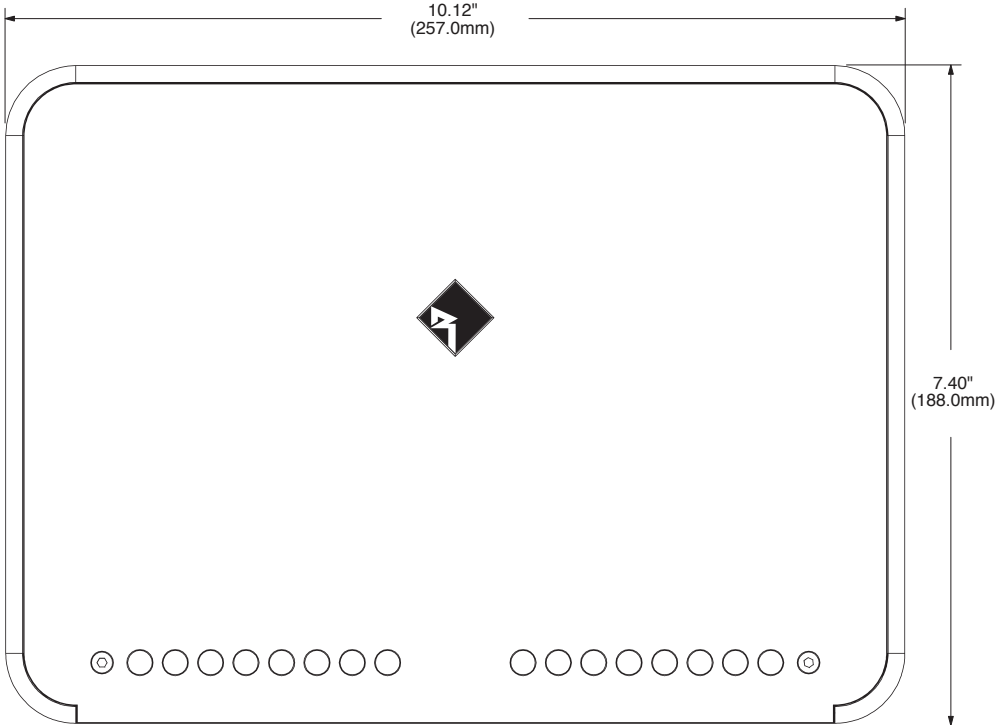
## T5 - Tweeter



## Mounting Options



T5 - Crossover



# Installation

## Contents

- (1) Pair Power T5 mid-bass speakers
- (1) Pair Power T5 tweeters
- (1) Power T5 stereo crossover
- (1) Pair of grilles/trim rings
- Tweeter mounting hardware with surface/angle, and flush mounts
- Remote Tuning Module tethering cable
- Power/Ground harness
- Stacking clip (for optional multiple T5 component installation)
- Mounting hardware

## Installation Considerations

Before beginning any installation, follow these simple rules:

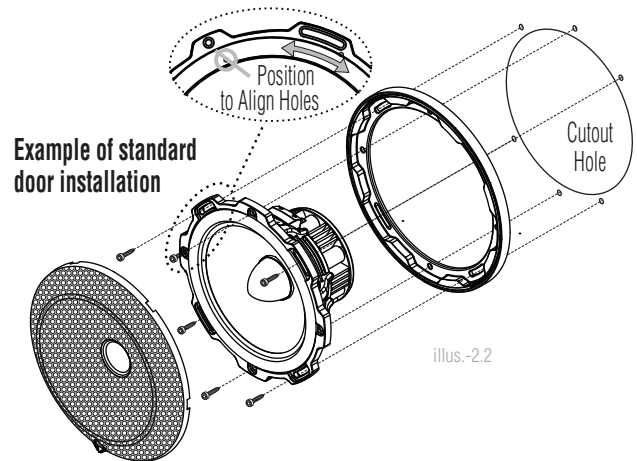
1. Be sure to carefully read and understand the instructions before attempting to install these speakers.
2. For safety, disconnect the negative lead from the battery prior to beginning the installation.
3. For easier assembly, we suggest you run all wires prior to mounting your speakers in place.
4. Use high quality connectors for a reliable installation and to minimize signal or power loss.
5. Think before you drill! Be careful not to cut or drill into gas tanks, fuel lines, brake or hydraulic lines, vacuum lines or electrical wiring when working on any vehicle. If installation in a boat, take care not to cut or drill through the main hull.
6. Never run wires underneath the vehicle. Running the wires inside the vehicle or hull area provides the best protection.
7. Avoid running wires over or through sharp edges. Use rubber or plastic grommets to protect any wires routed through metal, especially the firewall.

## Mounting

### Mid-Bass

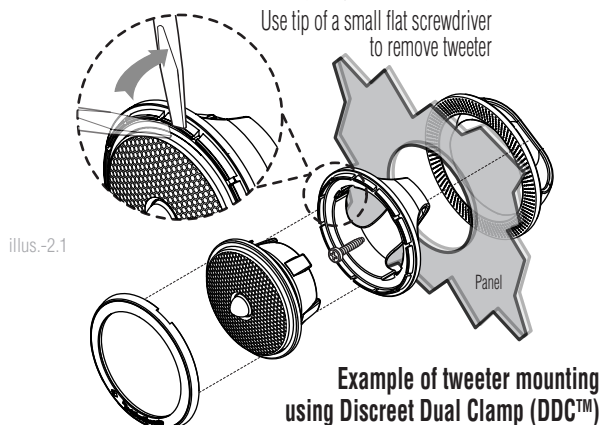
1. Determine where the speakers will be mounted. Ensure an area large enough for the speaker to mount evenly. Be sure that the mounting location is deep enough for the speaker to fit; if mounting in a door, operate all functions (windows, locks, etc.) through their entire operating range to ensure there is no obstruction.
2. Refer to the specification chart to determine the proper diameter hole to cut for your speaker model. Cutting and mounting templates can be found at [www.rockfordfosgate.com](http://www.rockfordfosgate.com).
3. Mark the locations for the mounting screws. Drill the holes with a 1/8" bit.
4. Feed the speaker wires through the cutout and connect to the speaker terminals. Be sure to observe proper polarity when connecting the wires. The speaker's positive terminal is indicated with a "+".

5. On models with slotted holes, fit the speaker into the cutout and install the screws in the slots at the top and bottom. This will allow you to rotate the speaker to match the remaining mounting holes. When aligned, tighten the screws.
6. Tighten the screws until the speaker is snug in place to prevent rattling. Do not over tighten the screws.



### Tweeter - Discreet Dual Clamp (DDC™)

1. Determine where the speakers will be mounted. Ensure an area large enough for the speaker to mount evenly. Be sure that the mounting location is deep enough for the speaker to fit; if mounting in a door, operate all functions (windows, locks, etc.) through their entire operating range to ensure there is no obstruction.
2. Mark the location for the mounting hole. Drill the hole with a standard 1.75 inch (45mm) hole saw.
3. With a single center screw secure the inner cup from the front of the door panel to the outer cup from back of the door panel. Tighten the screw until balanced pressure is applied to both faces of the mounting surface.
4. Feed the speaker wires through the cutout and connect to the speaker terminals. Be sure to observe proper polarity when connecting the wires. The speaker's lead wires are indicated with a RED wire "+" and a BLACK wire "-".
5. Simply snap the tweeter into place and secure with a snap-on trim ring. Removal is easy if needed. The protective grille on the tweeter is non-removable and an integral part of the design.

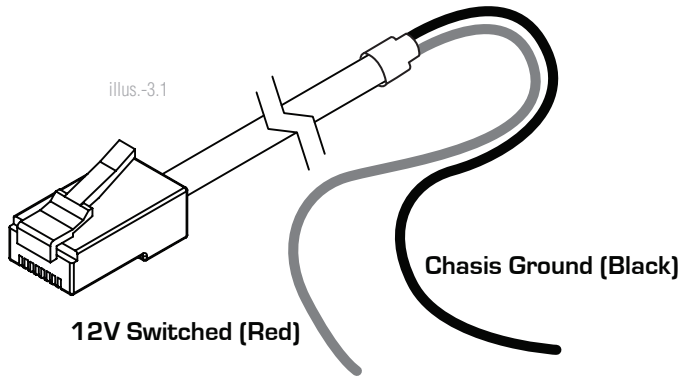




**Wiring**

**Power/Ground**

1. Use illustration for proper connection and be sure to maintain polarity. Red wire is connected to switched 12V source and Black wire is connected to chassis ground.
  2. Connect the Power/Ground harness to either RF Link ports.
- NOTE: Without a 12V source the crossover will still pass signal. To adjust the crossover settings a 12V source must be connected.

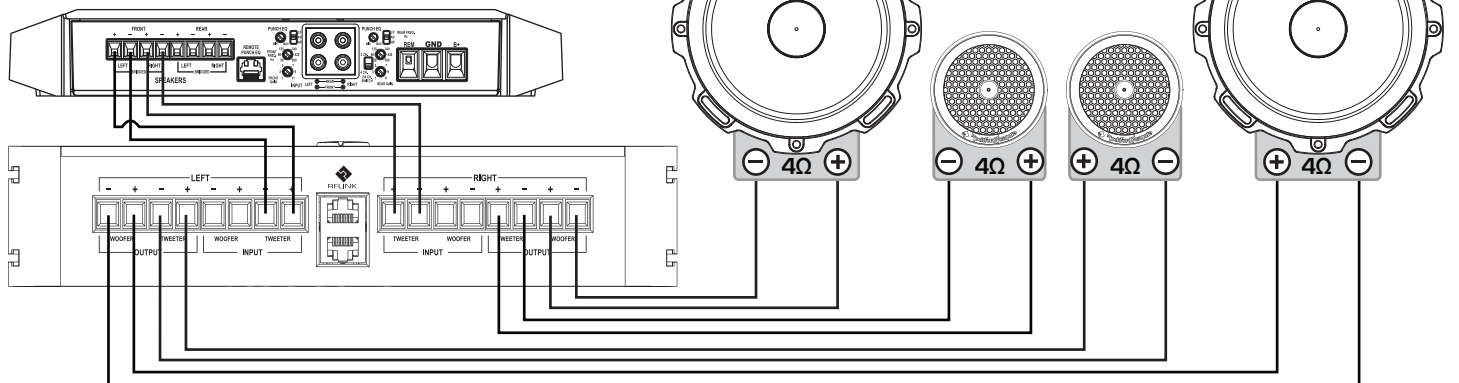


**CAUTION** No reverse polarity protection. Failure to maintain proper polarity with result in damage.

**Standard**

1. Use illustration for proper connection and be sure to maintain speaker polarity.
2. Use only "TWEETER" input(s).

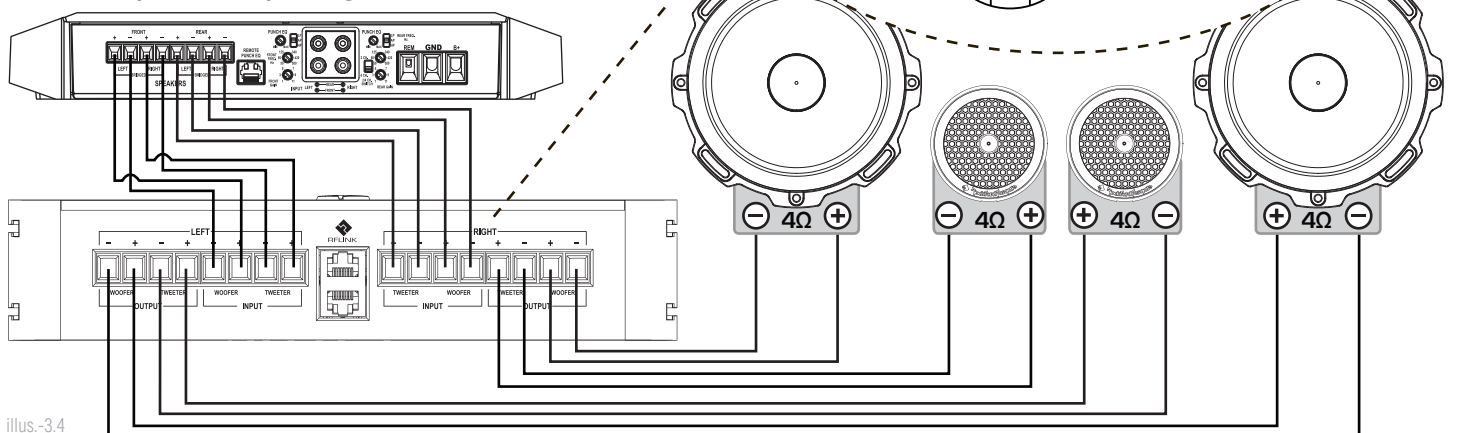
**Example of standard wiring**



**Bi-amp**

1. Use illustration for proper connection and be sure to maintain speaker polarity.
2. Remove 2 screws from crossover top to detach cover, then remove Remote Tuning Module to access and remove the 4 jumpers.
3. Use both "TWEETER" and "WOOFER" input(s).

**Example of bi-amp wiring**



illus.-3.4

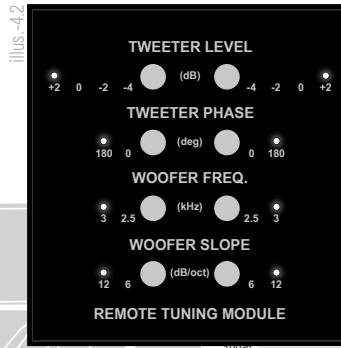
# System Setup

## Tweeter Position A

The tweeter is positioned low and together in relation to the mid-range.



illus.-4.1



illus.-4.2

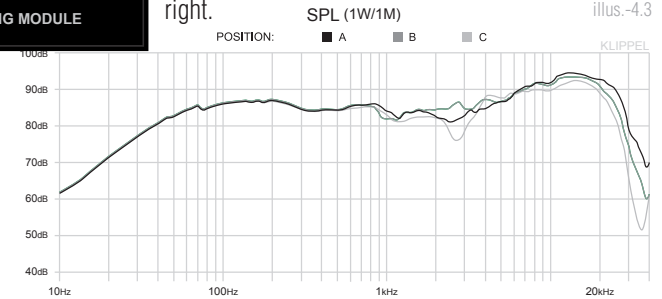
Tweeter Level: set by selecting the TL button until the LED above **+2** is illuminated.

Tweeter Phase: set by selecting the TP button until the LED above **180** is illuminated.

Woofer Freq.: set by selecting the WF button until the LED above **3** is illuminated.

Woofer Slope: set by selecting the WS button until the LED above **12** is illuminated.

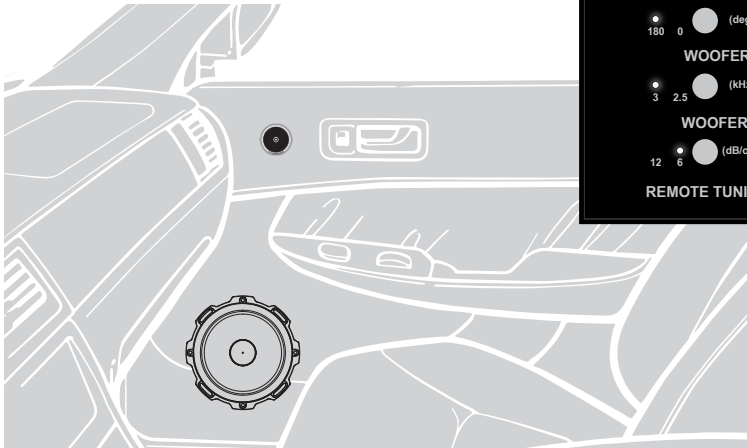
NOTE: Repeat the above selections for both the left and right.



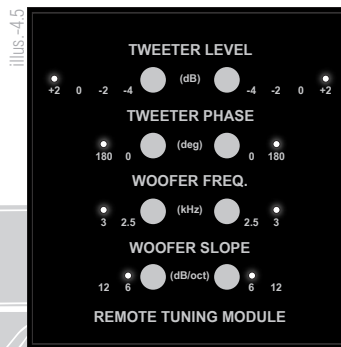
illus.-4.3

## Tweeter Position B

The tweeter is positioned away and on the same plane in relation to the mid-range.



illus.-4.4



illus.-4.5

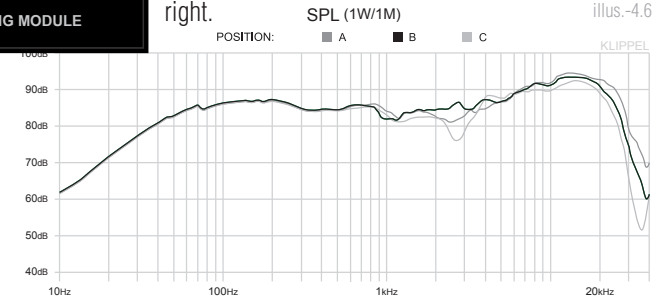
Tweeter Level: set by selecting the TL button until the LED above **+2** is illuminated.

Tweeter Phase: set by selecting the TP button until the LED above **180** is illuminated.

Woofer Freq.: set by selecting the WF button until the LED above **3** is illuminated.

Woofer Slope: set by selecting the WS button until the LED above **0** is illuminated.

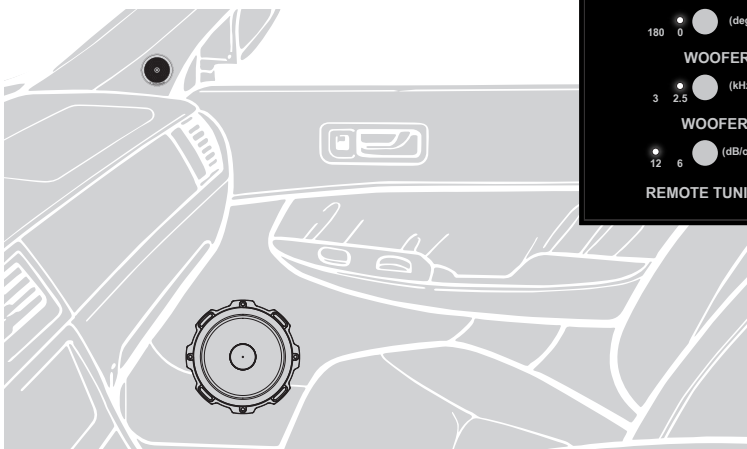
NOTE: Repeat the above selections for both the left and right.



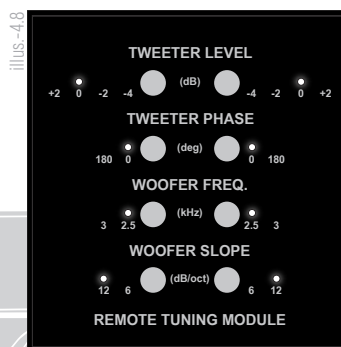
illus.-4.6

## Tweeter Position C

The tweeter is positioned away and on a separate plane in relation to the mid-range.



illus.-4.7



illus.-4.8

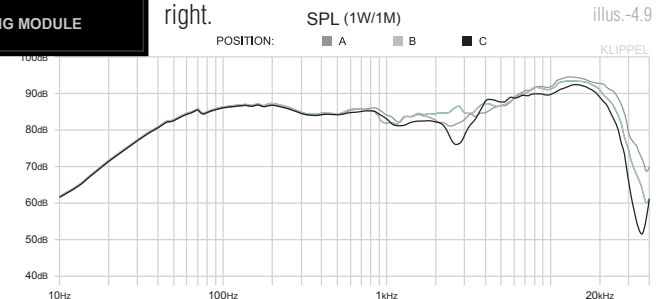
Tweeter Level: set by selecting the TL button until the LED above **0** is illuminated.

Tweeter Phase: set by selecting the TP button until the LED above **0** is illuminated.

Woofer Freq.: set by selecting the WF button until the LED above **2.5** is illuminated.

Woofer Slope: set by selecting the WS button until the LED above **12** is illuminated.

NOTE: Repeat the above selections for both the left and right.



illus.-4.9

NOTE: The above presets are just a reference point for the tuning process. Using the supplied cable tether the Remote Tuning Module for fine tuning from the listening position..

## Troubleshooting

NOTE: If you are having problems after installation follow the Troubleshooting procedures below.

### No LED's illuminated on the Remote Tuning Module when docked.

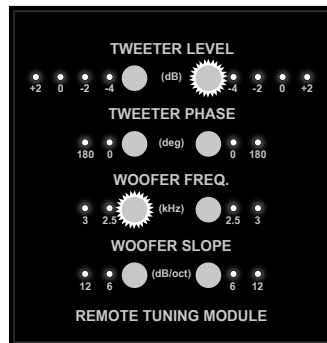
1. Verify Remote Tuning Module is properly seated in crossover housing.
2. Verify that Ground connection is connected to clean metal on the vehicle's chassis. Repair/replace if necessary.
3. Verify there is 9 to 14.4 Volts present at the power source. Verify quality connection at power source. Repair/replace if necessary.
4. Check fuse(s) on power source. Replace if necessary.

### No LED's illuminated on the Remote Tuning Module when tethered.

1. Verify that Remote Tuning Module functions correctly when docked. See Step 1.
2. Verify tethering cable is securely connected at the Remote Tuning Module as well as at the crossover connection port. Repair/replace if necessary.

### All the LED's are illuminated on the Remote Tuning Module when docked.

1. Push both the Tweeter Level Right button and the Woofer Freq. Left button simultaneously for 5 seconds, then release.



All the LED's are illuminated on the Remote Tuning Module when tethered.

1. Verify that Remote Tuning Module functions correctly when docked. See Step 3.
2. With the crossover power on re-dock the Remote Tuning Module. Allow to remain docked for 5 seconds, then attempt to tether again.

The LED's of the Remote Tuning Module remain illuminated with vehicle turned off.

1. Ensure use of a switched 12 Volt source for power source of the Remote Tuning Module.

### No sound from 1 or more of the component speakers.

1. Verify quality connections for the speaker wires at amplifier, crossover, and speaker terminal.
2. Verify the crossover jumpers are all installed for standard wiring option or all removed for bi-amp wiring option. See installation-wiring.

## Warranty

---

**Rockford Corporation offers a limited warranty on Rockford Fosgate products on the following terms:**

### Length of Warranty

Speakers, Signal Processors, PRIME and PUNCH Amplifiers – 1 Year  
POWER Amplifiers – 2 Years  
Any Factory Refurbished Product – 90 days (receipt required)

### What is Covered

This warranty applies only to Rockford Fosgate products sold to consumers by Authorized Rockford Fosgate Dealers in the United States of America or its possessions. Product purchased by consumers from an Authorized Rockford Fosgate Dealer in another country are covered only by that country's Distributor and not by Rockford Corporation.

### Who is Covered

This warranty covers only the original purchaser of Rockford product purchased from an Authorized Rockford Fosgate Dealer in the United States. In order to receive service, the purchaser must provide Rockford with a copy of the receipt stating the customer name, dealer name, product purchased and date of purchase.

Products found to be defective during the warranty period will be repaired or replaced (with a product deemed to be equivalent) at Rockford's discretion.

### What is Not Covered

1. Damage caused by accident, abuse, improper operations, water, theft, shipping.
2. Any cost or expense related to the removal or reinstallation of product.
3. Service performed by anyone other than Rockford or an Authorized Rockford Fosgate Service Center.
4. Any product which has had the serial number defaced, altered, or removed.
5. Subsequent damage to other components.
6. Any product purchased outside the U.S.
7. Any product not purchased from an Authorized Rockford Fosgate Dealer.

### Limit on Implied Warranties

Any implied warranties including warranties of fitness for use and merchantability are limited in duration to the period of the express warranty set forth above. Some states do not allow limitations on the length of an implied warranty, so this limitation may not apply. No person is authorized to assume for Rockford Fosgate any other liability in connection with the sale of the product.

### How to Obtain Service

Contact the Authorized Rockford Fosgate Dealer you purchased this product from. If you need further assistance, call 1-800-669-9899 for Rockford Customer Service. You must obtain an RA# (Return Authorization number) to return any product to Rockford Fosgate. You are responsible for shipment of product to Rockford.

### EU Warranty

This product meets the current EU warranty requirements, see your Authorized dealer for details.

071811 BCF

1230-57237-01

Printed in China

Installation assistance available at:

# RFTECH

[www.rockfordfosgate.com/rftech](http://www.rockfordfosgate.com/rftech)

600 South Rockford Drive • Tempe, Arizona 85281 United States  
Direct: (480) 967-3565 • Toll Free: (800) 669-9899

**ROCKFORDFOSGATE.COM**

