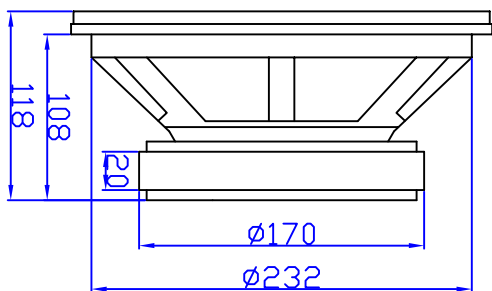
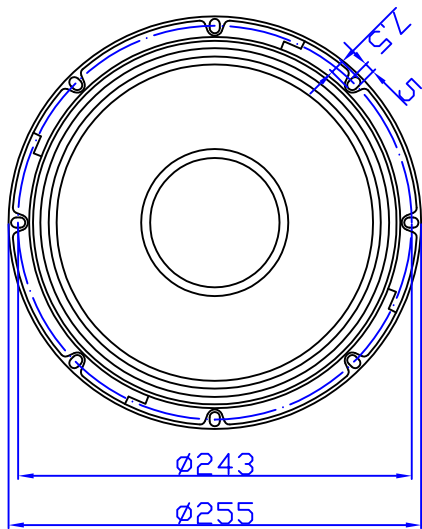




10" Professional High Power Midbass Driver 8 Ohm

MB1025-8



PARAMETERS

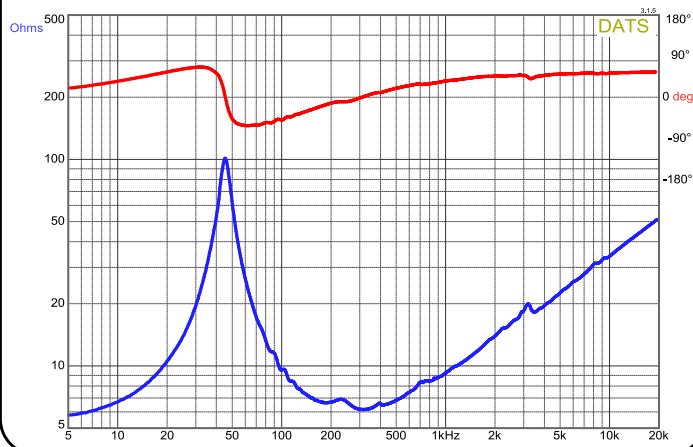
Impedance	8 ohms
Re	5.30 ohms
Le	1.20 mH @ 1kHz
Fs	45 Hz
Qms	6.47
Qes	0.36
Qts	0.34
Mms	41.1 g
Cms	0.301 mm/N
Sd	346.36 cm ²
Vd	104 cc
BL	13.18 Tm
Vas	50.7 liters
*Xmax	3.0 mm
Magnetic Gap Height	10 mm
VC Winding Height	16 mm
VC Diameter	2.5"
Magnet Weight	65 oz
SPL	95 dB @ 2.83V/1m
RMS Power Handling	350 watts
Usable Frequency Range	60Hz-5.5kHz

$$* X_{max} = \left[\frac{\text{Voice Coil Winding Height} - \text{Magnetic Gap Height}}{2} \right]$$

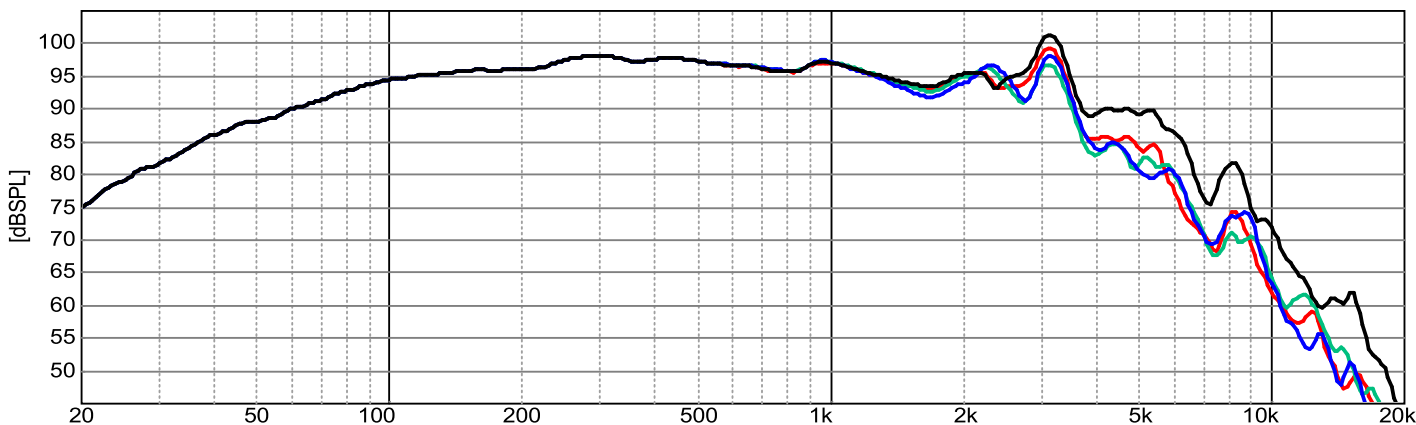
FEATURES

- Great value for performance
- High power and high SPL for amazing output
- Paper cone and corrugated cloth surround for clarity and punch
- Versatility for use as a midrange, mid-bass or woofer in professional audio, car audio, home hi-fi, musical instrument applications, and maybe even more
- Large ferrite motors for high motor strength

IMPEDANCE/PHASE



FREQUENCY RESPONSE



OmniMic

Note: 1/12th octave smoothing - nearfield response included in graph below 450 Hz

Black = 0°
Red = 15°
Green = 30°
Blue = 45°